

CAMERA

PLUG + PLAY VISION FOR UNIVERSAL ROBOTS



5-MINUTE SETUP

Teach the workspace,
then teach the object.
You're done. No coding
required.

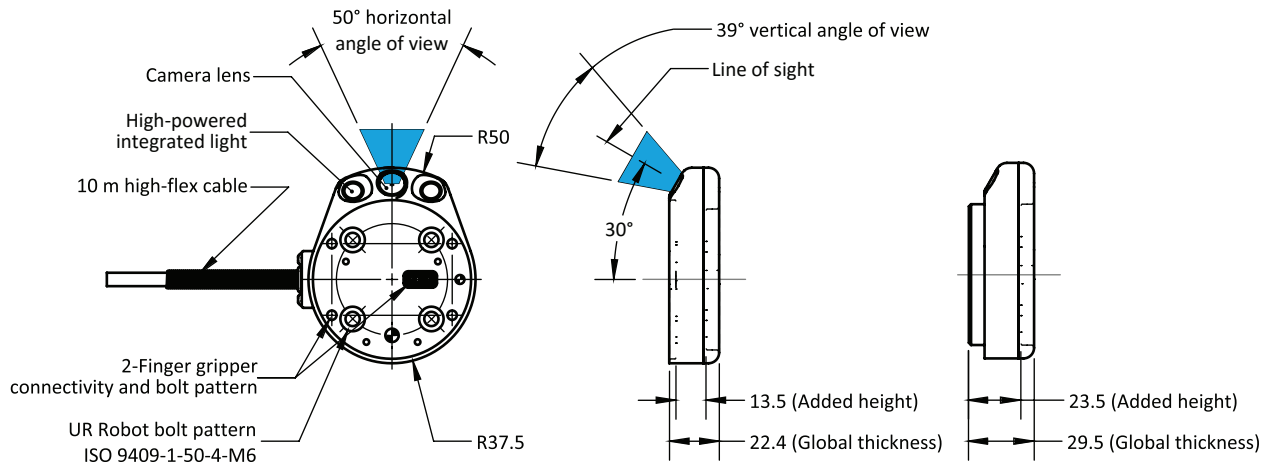
PERFECT FIT FOR UR

Fits on all UR wrists and
connects directly to the
robot controller.

NO EXTERNAL CONTROLLER

No external PC required
to setup, program or run
Camera

ROBOTIQ CAMERA TECHNICAL DATA



CAMERA SPECIFICATIONS

Maximal resolution	5 Mpx @ 2fps	2560 X 1920
Maximal framerate	30 fps @ 0.3 Mpx	640 X 480
Active array size	2592 X 1944	
Focus range	70 mm to infinity	
Autofocus	Yes	
Integrated lighting	6 LED diffuse white light	

MECHANICAL SPECIFICATIONS

Added height	13.5 mm (Without tool plate) 23.5 mm (With tool plate)	Distance between the robot flange and the tool base
Weight	160 g	Without the cable
Maximum load	10 kg	
Operating temperature	0°C to 50°C	
Environmental protection	Water-tight	
Operating conditions	Environment free from powerful electromagnetic interference and corrosive or explosive liquids or gases Non-condensing humidity level Lense must be free from dust, soot and water	

ELECTRICAL SPECIFICATIONS

Nominal supply voltage	24 V DC ±20%	
Quiescent power consumption	1 W	
Maximum power consumption	22 W	When light is on
Communication interface	USB 2.0	Software package available for Universal Robots

VISION SPECIFICATIONS*

	UR3	UR5	UR10
Minimum field of view (cm)	10 x 7.5	10 x 7.5	10 x 7.5
Maximum field of view (cm)	36 x 27	64 x 48	100 x 75
Minimum part size (% of field of view)	10%	10%	10%
Maximum part size (% of field of view)	60%	60%	60%
Maximum part height: smallest dimension	1:1	1:1	1:1

* Vision spec will change according to the teached snapshot position, see instruction manual for details